

HAWK-SINGLE 3.0 GROWTH LIGHT

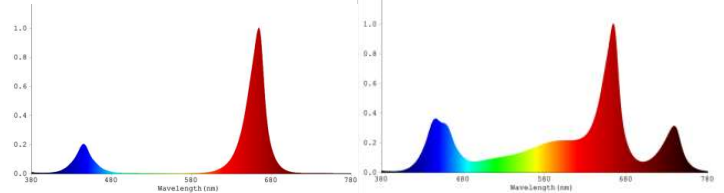
- High energy efficiency, high luminous efficiency, high power
- SANANBIO high efficiency planting spectrum
- Light weight and easy to install



Product Model

ZK3-TN240-

Product Spectrum

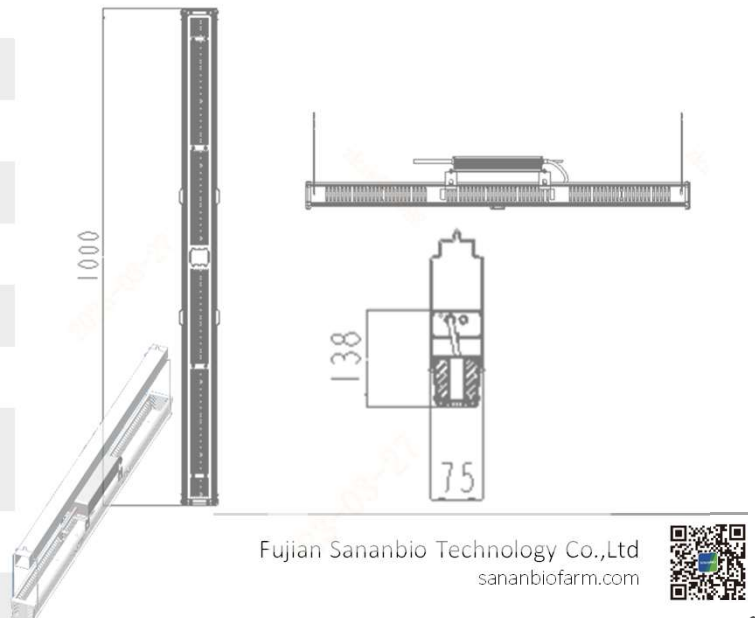


ZK3-TN240-TL

ZK3-TN240-CS

SANANBIO special spectrum for fill light illumination, full light illumination.

Product Size Diagram



Power Input	240W@240V AC
Light Efficiency (PPE)	3.0 μ mol/J@240V AC
Photon Flux (PPF)	720 μ mol/s
Voltage Input	100-240V AC@50/60Hz
Light Beam Angle	120°
Heat Dissipation Method	Passive
Life Time	L90 > 36000 Hours
Dimming	0-10V
Power Factor	> 0.95
Working Temperature	-20 to 40°C
Certification	CCC,ETL, CE, ROHS
Protection Level	IP65
Size	L1000xW75xH140mm (Cable not included)
Weight	2.7 kg
Material	Aluminum
Installation	Hanging installation

Fujian Sananbio Technology Co.,Ltd
sananbiofarm.com



HAWK-DUO GROWTH LIGHT

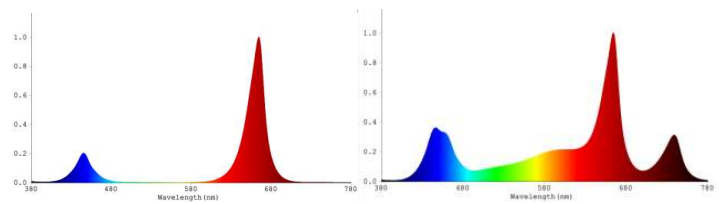


- High energy efficiency, high luminous efficiency, high power
- SANANBIO high efficiency planting spectrum
- Light weight and easy to install

Product Model

ZK3-TN500-

Product Spectrum

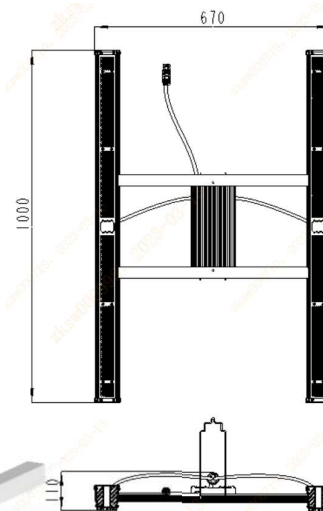


ZK3-TN500-TL

ZK3-TN500-CS

SANANBIO special spectrum for fill light illumination, full light illumination.

Product Size Diagram



Power Input	480W@240V AC
Light Efficiency (PPE)	3.0 μ mol/J@240V AC
Photon Flux (PPF)	1450 μ mol/s
Voltage Input	100-240V AC@50/60Hz
Light Beam Angle	120°
Heat Dissipation Method	Passive
Life Time	L90 > 36000 Hours
Dimming	0-10V
Power Factor	> 0.95
Working Temperature	-20 to 40°C
Certification	CCC,ETL, CE, ROHS
Protection Level	IP65
Size	L1000xW670xH110mm (Cable not included)
Weight	5.6 kg
Material	Aluminum
Installation	Hanging installation

Fujian Sananbio Technology Co.,Ltd
sananbiofarm.com



FLAMINGO 3.0 GROWTH LIGHT

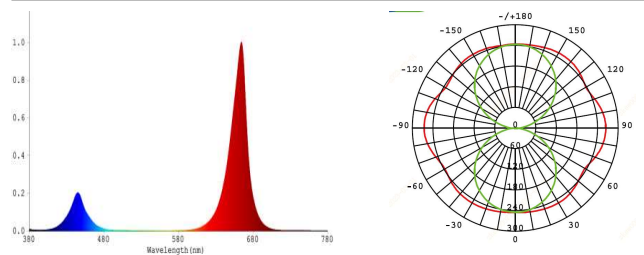
Product Model

IL01/B

ZK3-DL40-

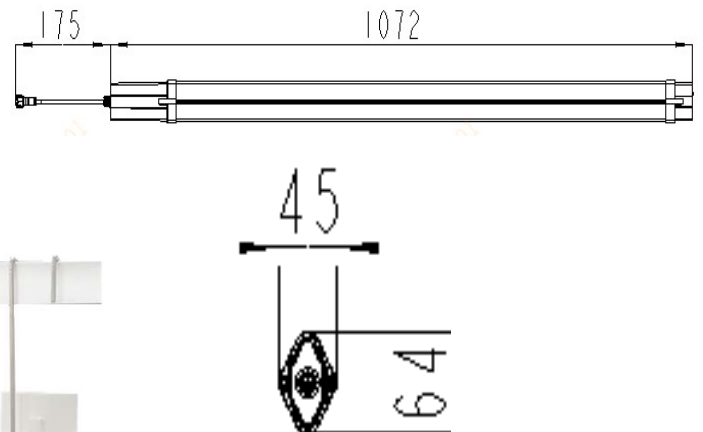
Power Input	40W@220V AC
Light Efficiency (PPE)	2.7 μ mol/J@220V AC
Photon Flux (PPF)	108 μ mol/s
Voltage Input	100-240V AC@50/60Hz
Light Beam Angle	330°
Heat Dissipation Method	Passive
Life Time	L90 > 36000 Hours
Dimming	Not dimmable
Power Factor	> 0.9
Working Temperature	-20 to 40°C
Certification	CCC\CE\ROHS
Protection Level	IP65
Size	L1085×W65×H46mm (Cable not included)
Weight	0.5 kg
Material	Plastic
Installation	Hanging installation

Product Spectrum



SANANBIO special spectrum for fill light illumination, full light illumination.

Product Size Diagram



Fujian Sananbio Technology Co.,Ltd
sananbiofarm.com

